

Name: _____

Pedigrees

Family tree showing a trait.

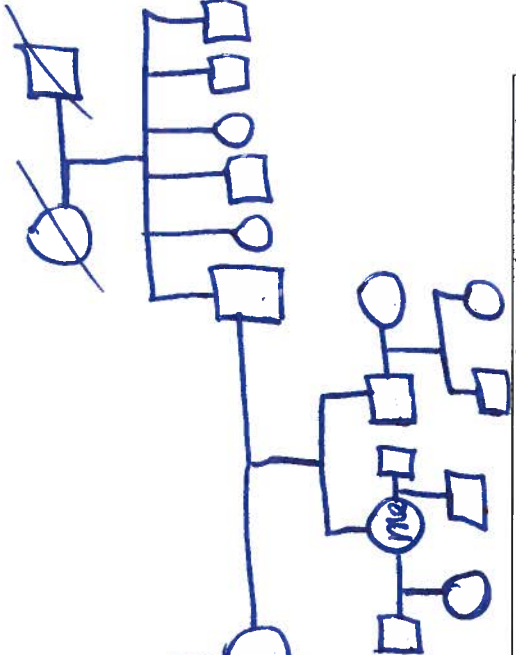
Shaded individuals have the trait.

Y₂ : Y₀ Shaded individuals = carriers heterozygous

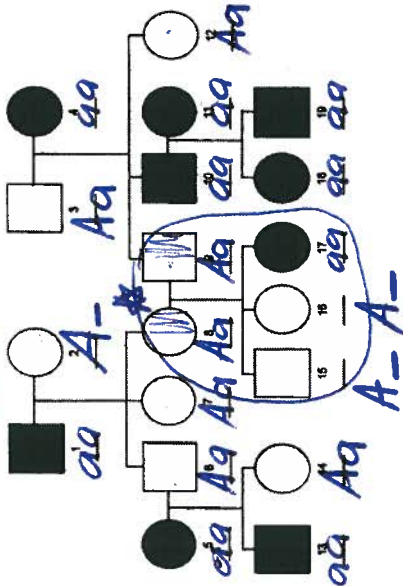
(recessive trait)

□ = males

○ = females



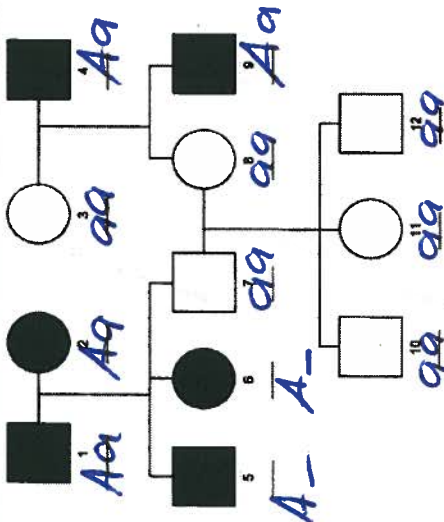
Autosomal Recessive



All shaded have the trait = aa

* Parents not showing the trait with kids with the trait (Shaded)

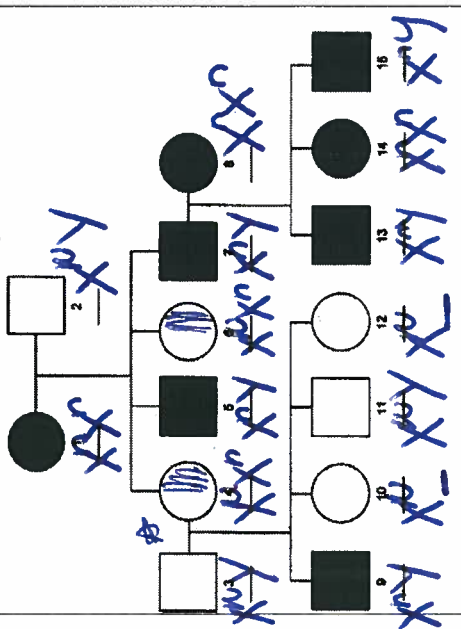
Autosomal Dominant



Shaded have the trait

* NO half/half Shaded

X-linked Recessive



XⁿY, XⁿXⁿ = Shaded

* More males Shaded

* Females Shaded have father's that are Shaded